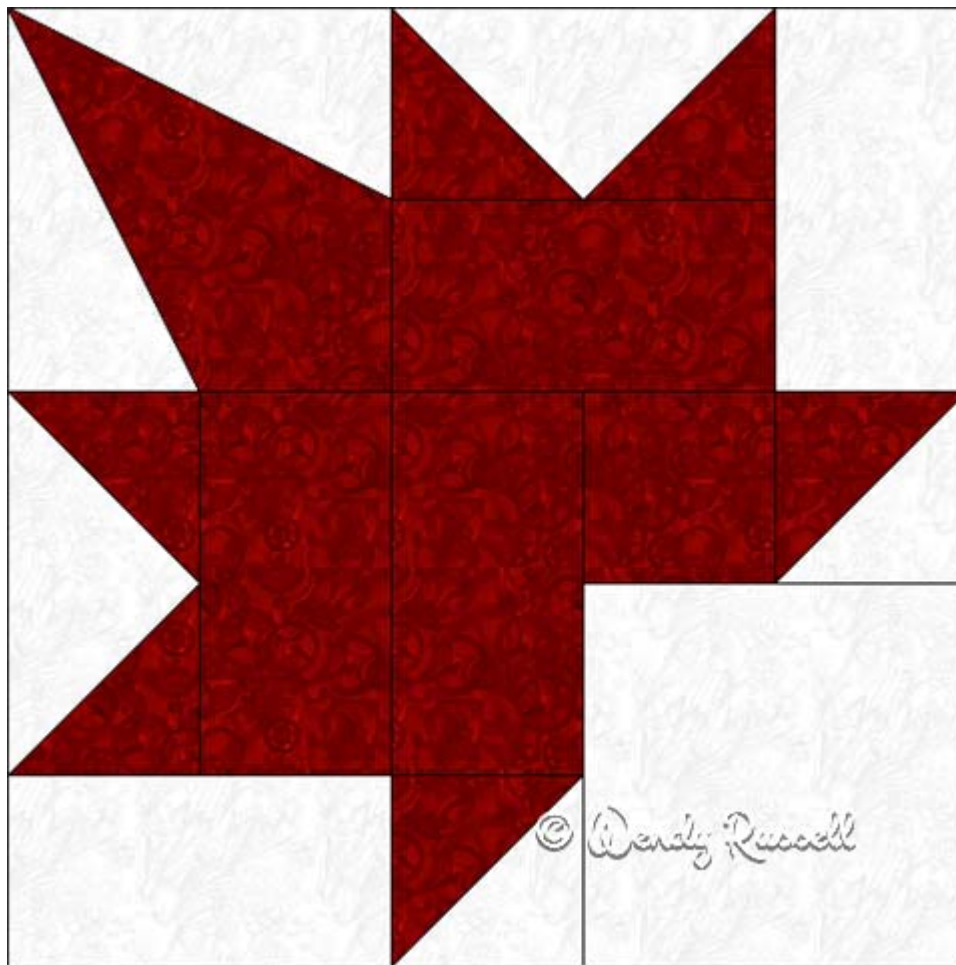


Maple Leaf

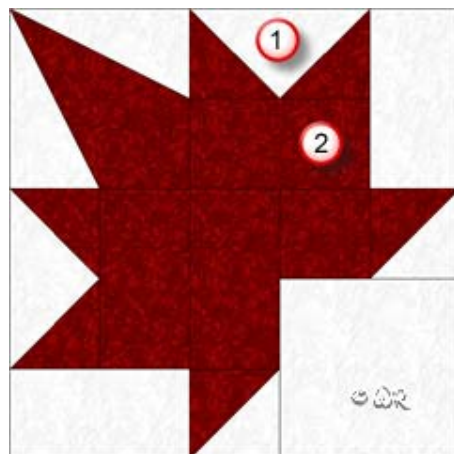


10" finished quilt block

Maple Leaf

10" finished quilt block

Fabric Placement



How-to Notes



Bisect square on one diagonal



Bisect square on both diagonals

*All seam allowances are 1/4" unless noted otherwise

1



Background fabric

Cut 1 square 4 1/2"

Cut 1 square 2 7/8" and bisect on one diagonal

Cut 2 rectangles 4 1/2" x 2 1/2"

Cut 1 square 5 1/4" and bisect on both diagonals (*you will have 2 extra triangles for a second block*)

- Using templates on next page, cut one "B" piece, flip template and cut 1 "Br" (B reversed) piece. *These two pieces are mirror images of each other*

2



Fabric 2

Cut 1 square 2 1/2"

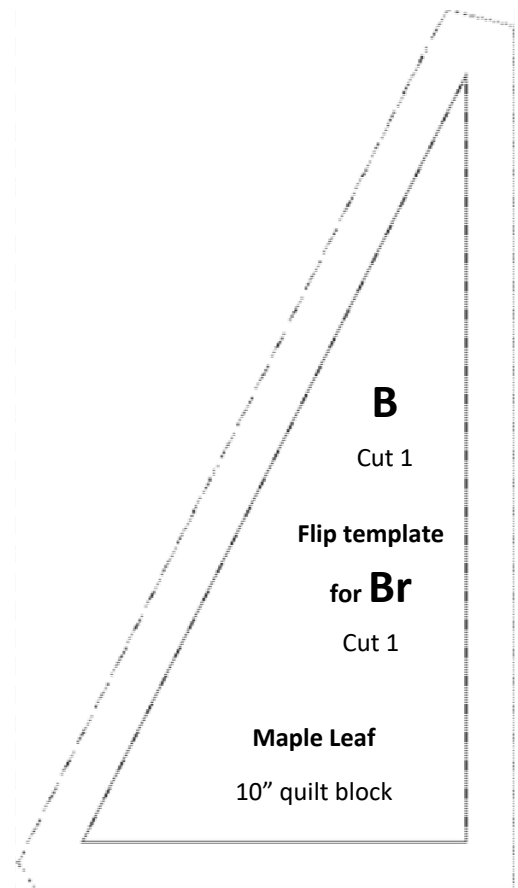
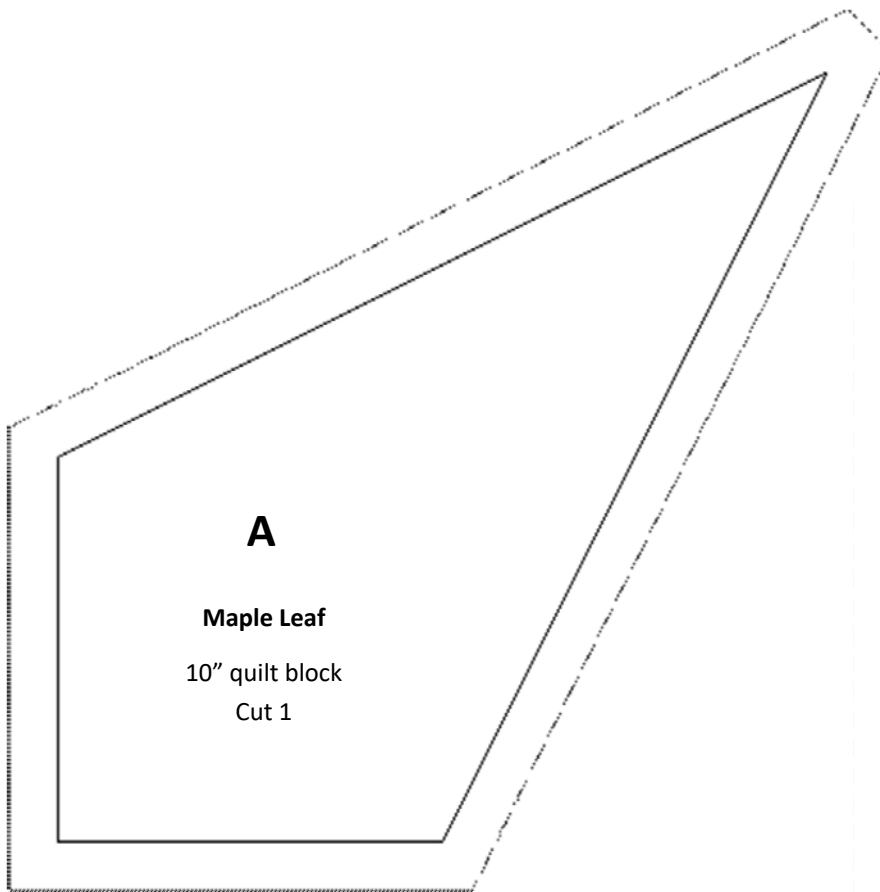
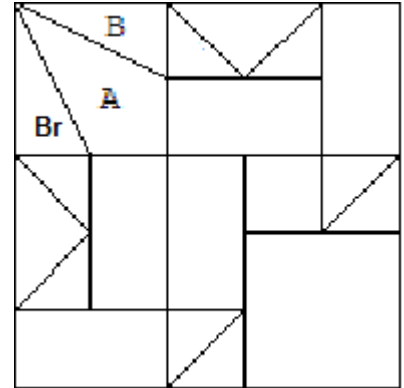
Cut 3 squares 2 7/8" and bisect on one diagonal

Cut 3 rectangles 4 1/2" x 2 1/2"

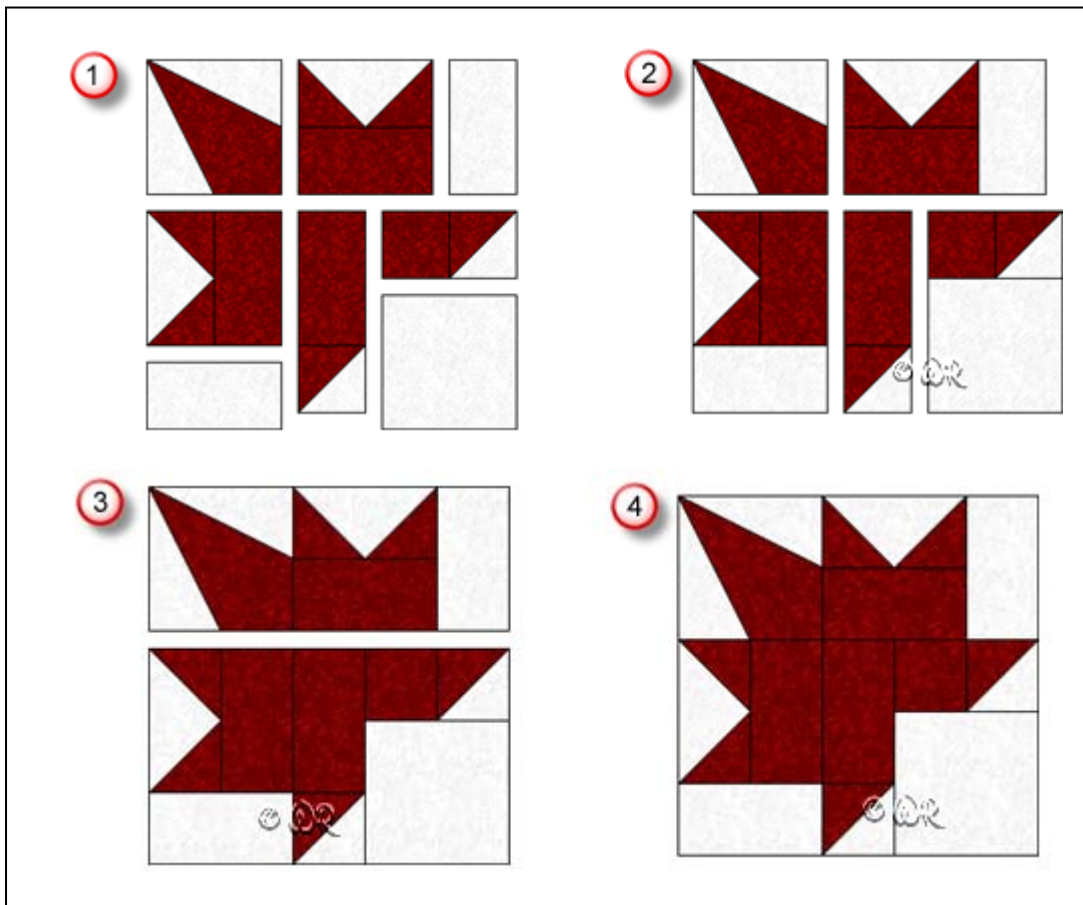
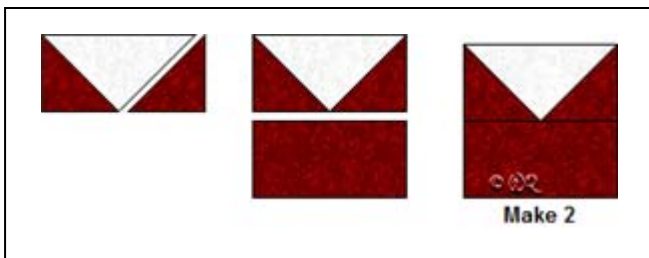
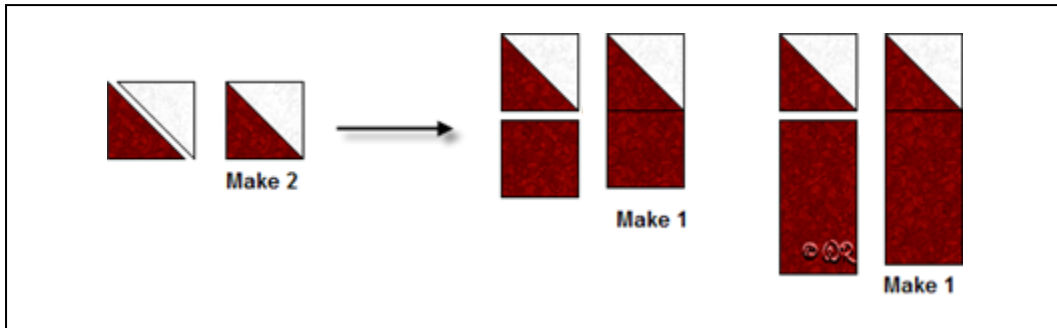
- Using templates on next page, cut 1 template "A" piece

Maple Leaf

10" finished quilt block



Maple Leaf



Maple Leaf

Sample Quilt Layouts

